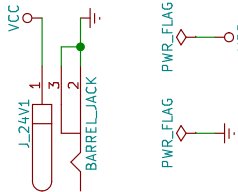
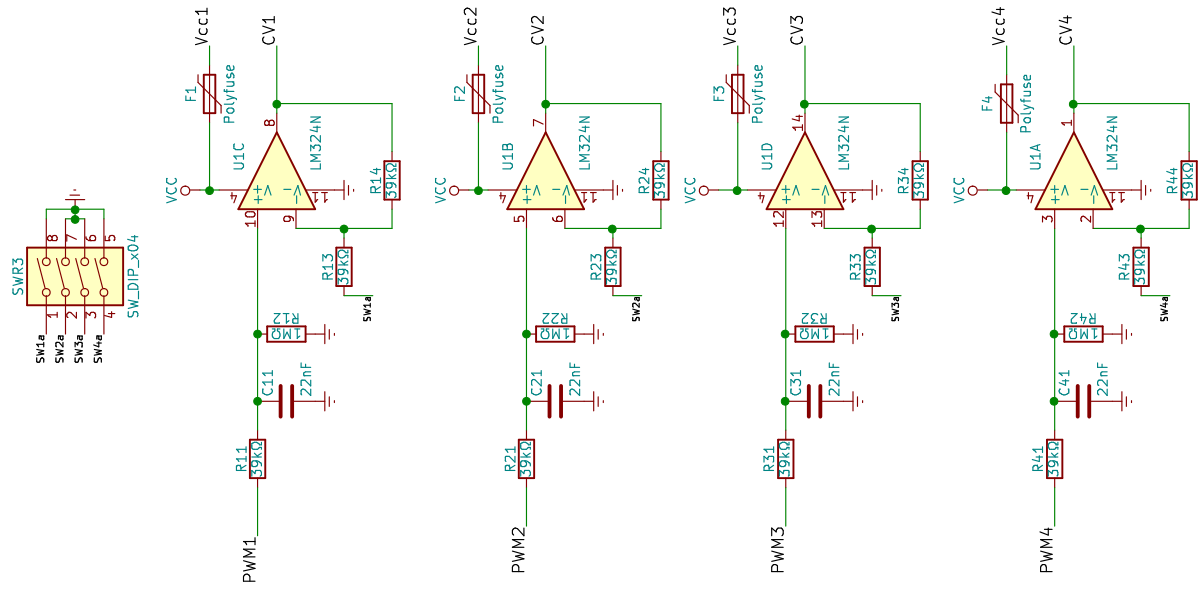


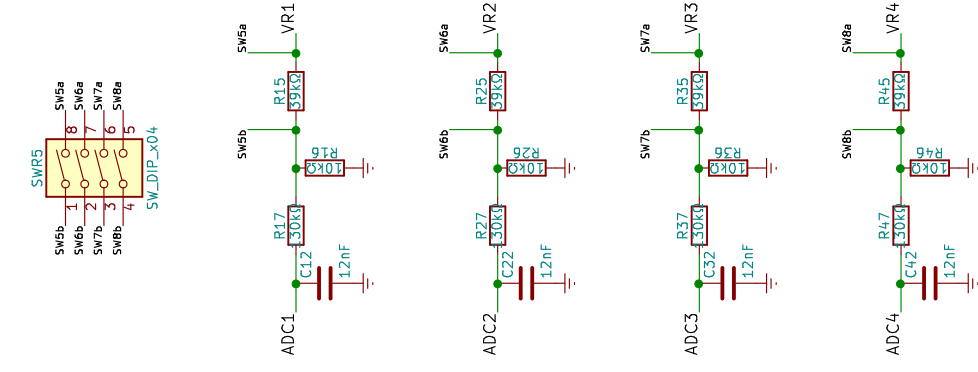
Power Supply 24V



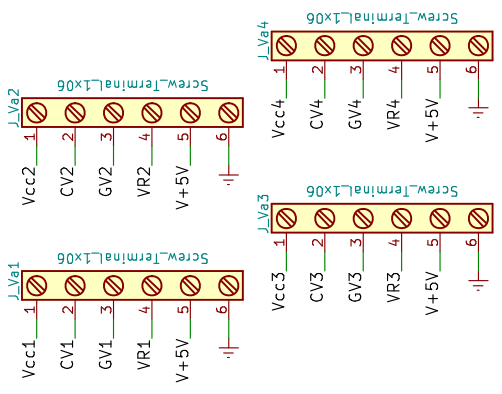
Command for Pneumatic Valves



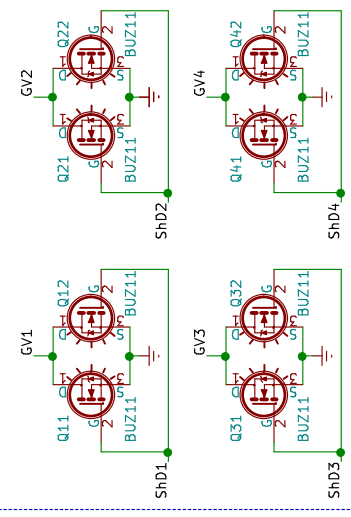
Signal Return



Valves/Sensors Connections



Valves Shut Down



Arduino Connections

- J_PWM1 PWM1
- PWM2
- PWM3
- PWM4
- CONN_01X04_FEMALE
- J_ADC1 ADC1
- ADC2
- ADC3
- ADC4
- CONN_01X04_FEMALE
- J_M05FET1 ShD1
- ShD2
- ShD3
- ShD4
- CONN_01X04_FEMALE
- J_ALIM1 V+5V
- CONN_01X02_FEMALE