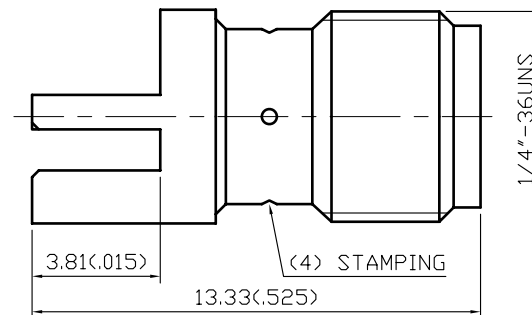
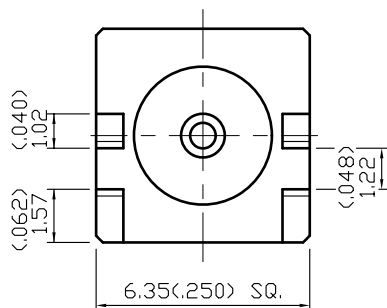


NO	DESCRIPTION	DATE
1	BACKGROUND FORMAT UPDATED	09.14.07'



1.0 ELECTRICAL

- 1.1 FREQUENCY RANGE: DC-18 GHz
- 1.2 NOMINAL IMPEDANCE: 50 OHM
- 1.3 WORKING VOLTAGE: 500 VOLTS MAX.
- 1.4 PROOF VOLTAGE: 1000 VOLTS
- 1.5 VSWR: 1.23 MAX.

2.0 MATERIALS

- 2.1 BODIES: BRASS PER JIS-C3604
- 2.2 CENTER CONTACT: BERYLLIUM COPPER PER ASTM B196 UNS C17300
- 2.3 INSULATION: TEFLON PER ASTM D1457 AND ASTM D1710

3.0 FINISHES AND OTHERS

- 3.1 SEE BELOW TABLE FOR DETAILS.

4.0 MECHANICAL

- 4.1 INTERFACE IN ACCORDANCE WITH: MIL-STD-348A

5.0 ENVIRONMENTAL

- 5.1 OPERATING TEMPERATURE RANGE: -65° C TO +165° C

NO	DESCRIPTION	MATERIAL	Q'TY	FINISH
3	INSULATION	TEFLON	1	NONE
2	CENTER CONTACT	BERYLLIUM COPPER	1	GOLD 50μ" MIN.
1	BODY	BRASS	1	GOLD 3μ" MIN.

APPROVED by _____ DATE: _____

DESCRIPTION		SMA EDGE MOUNT JACK RECEPTACLE							
製圖	DRAWN	TOLERANCE		品名	19-70-4 T.G.G	日期	DATE	版次	REV.
	Yoko	X	±0.2	TITLE	\ROHS COMPLIANT <50Ω				
檢圖	CHECK	.XX	±0.1	單位	DWG.NO. 19-0182				
	Jacky			mm(in)					
認定	APPROVAL	.XXX	±0.05	比例	SCALE				
	Lewis	ANGLE	±5°	6:1					