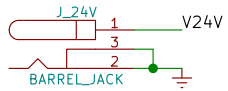
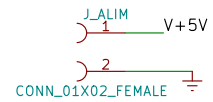
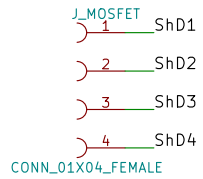
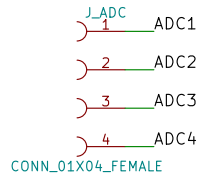
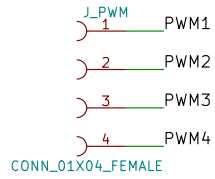


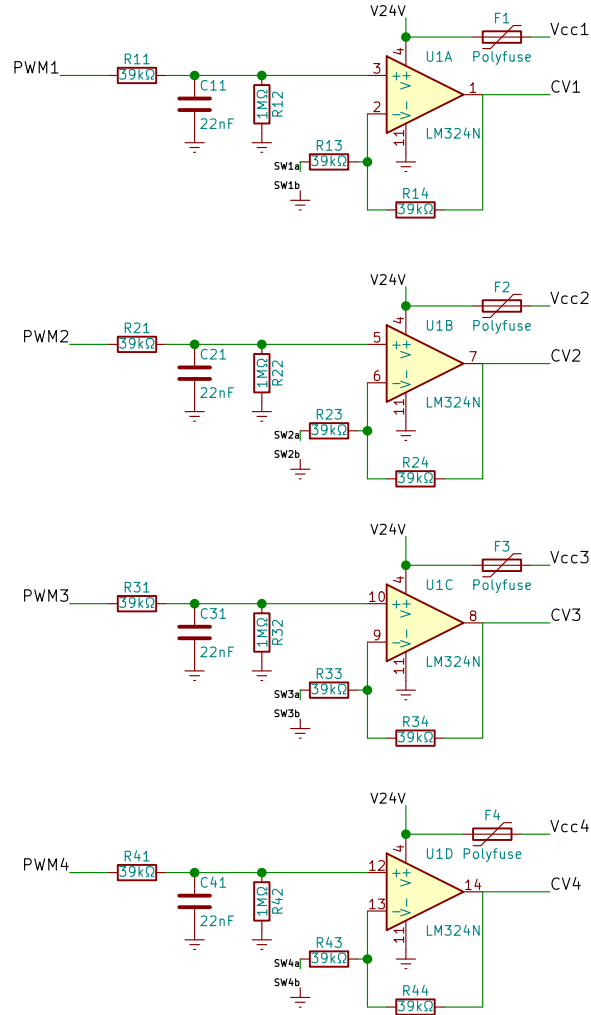
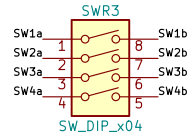
Power Supply 24V



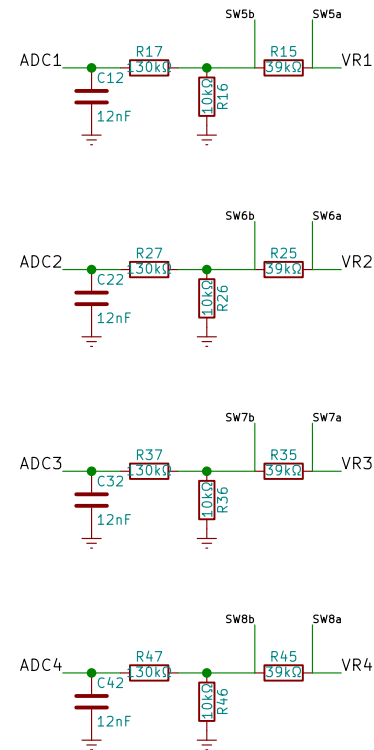
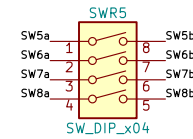
Arduino Connections



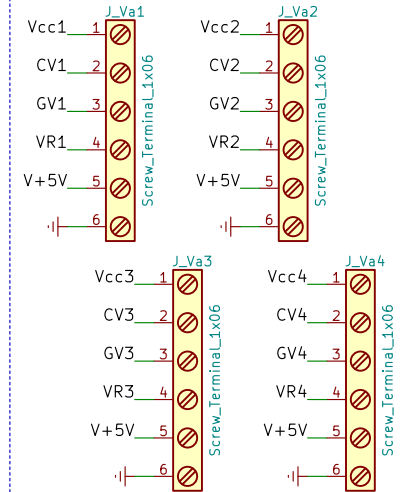
Command for Pneumatic Valves



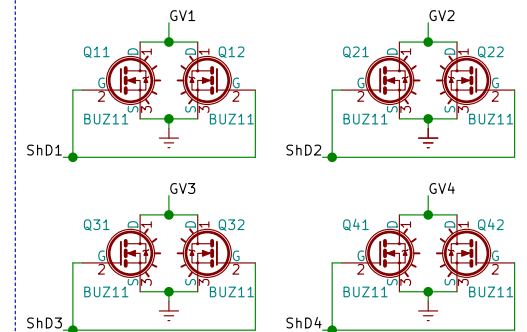
Signal Return



Valves/Sensors Connections



Valves Shut Down



Sheet: /
File: controle_pneumatique_ki.sch

Title: BigMomma's pneumatic valves circuit

Size: A4 Date:
KiCad E.D.A. kicad 4.0.7-e2-637658ubuntu16.04.1

Rev:
Id: 1/1